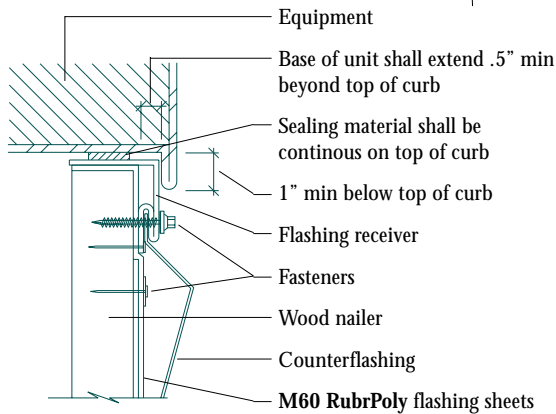
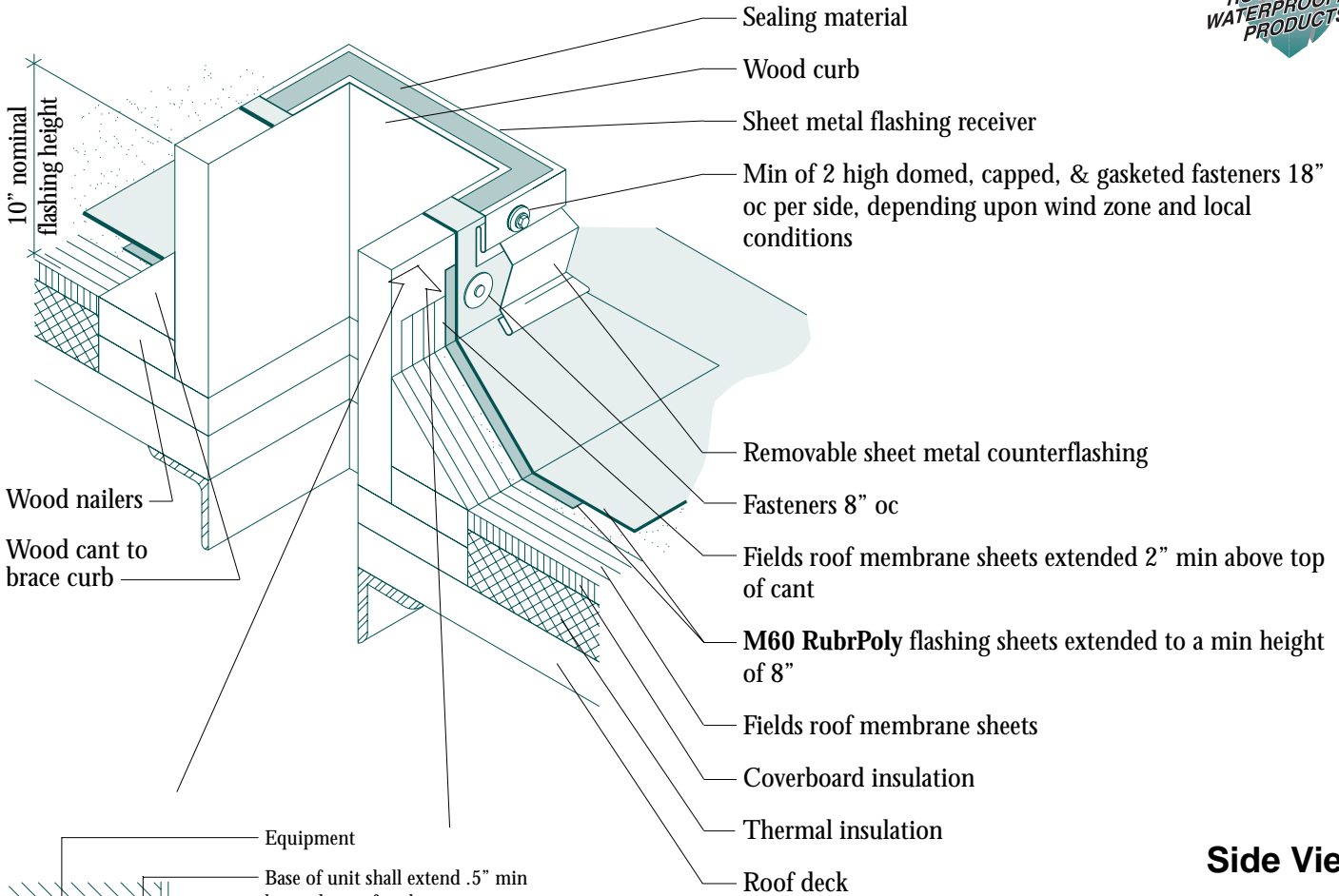
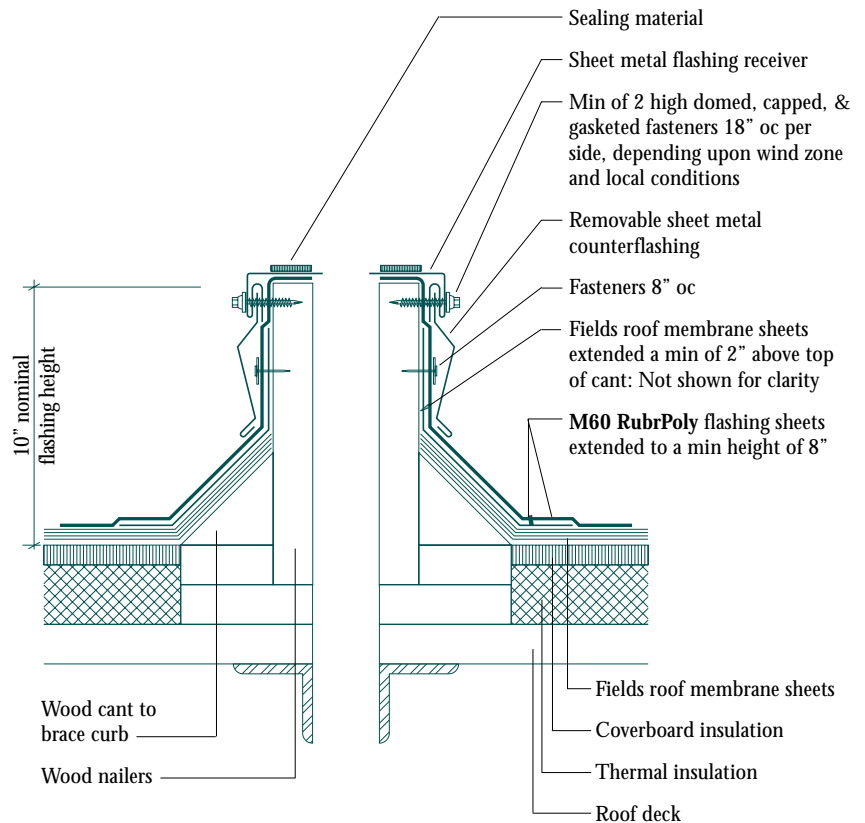


FD07 Roof-Top Wood Air Shaft Curb Detail



Side View



Notes

1. Attach wood nailer to the deck with suitable fasteners.
2. The equipment shall be set after the roof membrane and flashings have been installed.